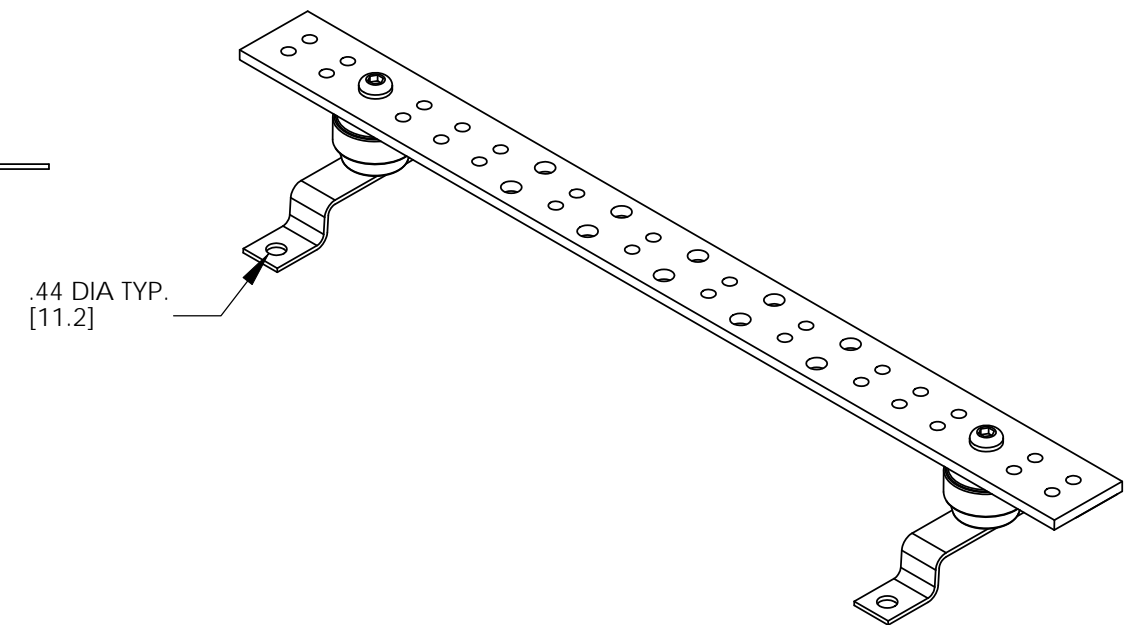
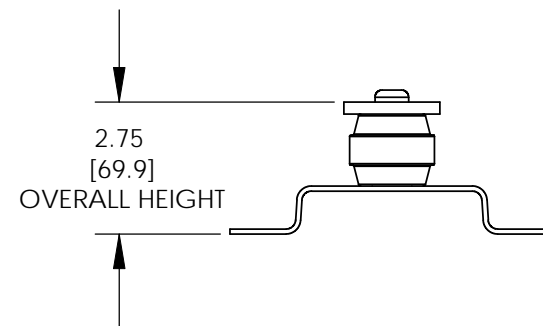
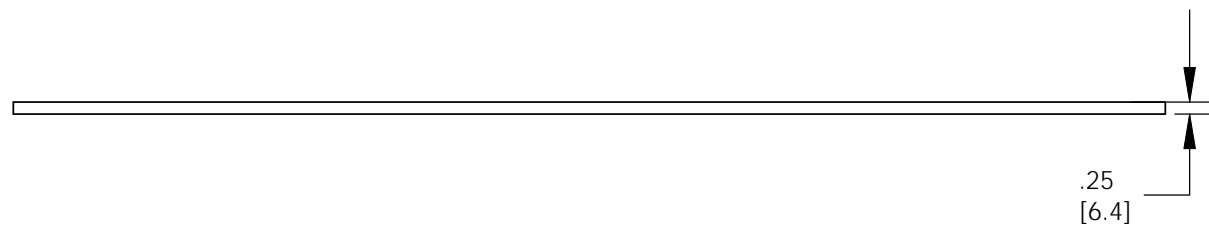
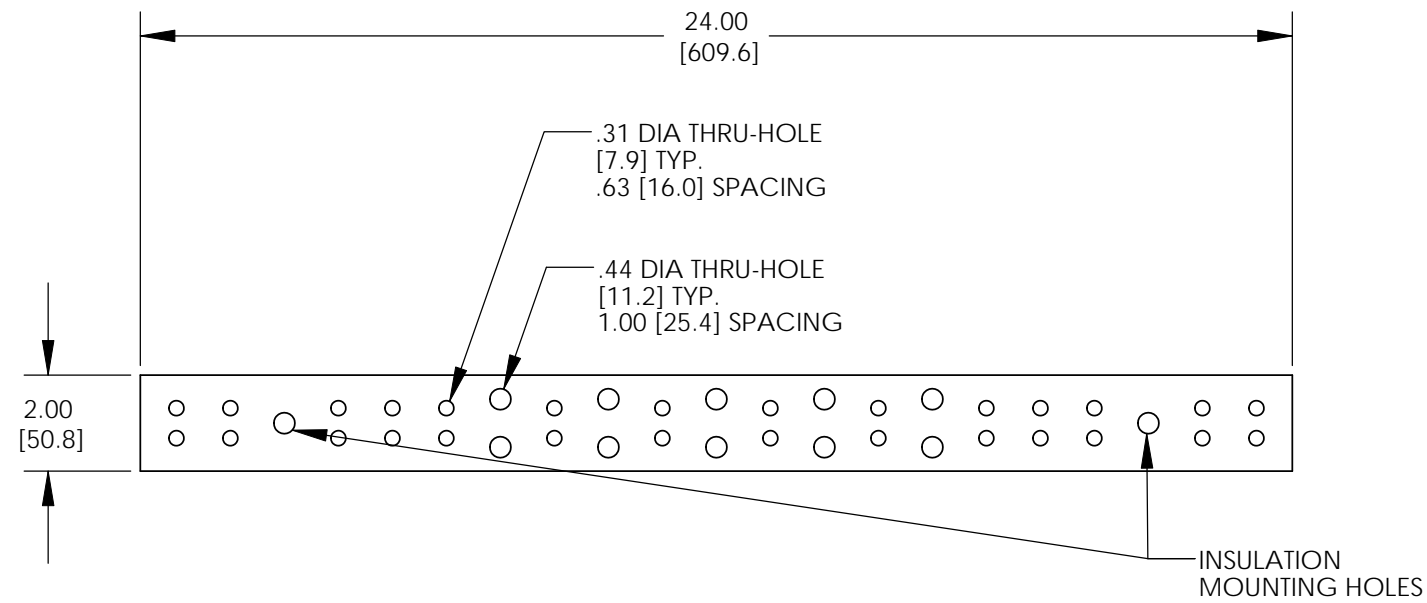


THIS COPY IS PROVIDED ON A RESTRICTED BASIS AND IS NOT TO BE USED IN ANY WAY DETRIMENTAL TO THE INTERESTS OF PANDUIT CORP.

NOTES:

1. KIT COMES FULLY ASSEMBLED
2. KIT INCLUDES BUSBAR, MOUNTING BRACKETS, INSULATORS, AND MOUNTING HARDWARE.
3. MEETS BICSI/J-STD-607-A
4. DIMENSIONS IN PARENTHESIS ARE MILLIMETERS.



ASSEMBLED AS SHOWN

								TGB BCSI GROUNDING BUSBAR (GB2B0514TPI) CUSTOMER DRAWING	
05	12/10	JHNU	JHNU	REVISED AGENCY LOGO	N41741BC-C41741				
04	11/09	JHNU	JHNU	REVISED PART NUMBER: GB2B0514TPI WAS GB2B0314TPI				UNLESS OTHERWISE SPECIFIED, ALL DIMENSIONS ARE GIVEN IN INCHES, THIRD ANGLE PROJECTION	
03	12/08	JHNU	JHNU	REVISED PART NUMBER: GB2B0314TPI WAS GB2B0314-TPI-1					
02	11/08	JHNU	JHNU	REVISED DRAWING LAYOUT, REMOVED BRACKET VIEWS				DRAWN BY	JHNU
01	11/08	JHNU	DWDA	REVISED BUSBAR BRACKET GEOMETRY				DATE	1/08
00	5/08	JHNU	DWDA	DRAWING RELEASED				DRAWING NO / CAD FILE	C41741_05
REV	DATE	BY	CHK	DESCRIPTION	ECN	-R	SUP	CHK'D	DWG SIZE B